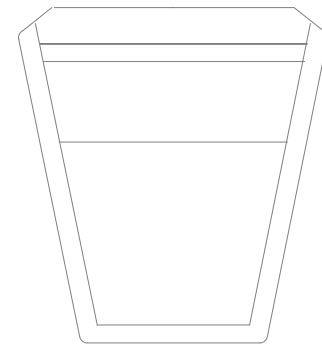
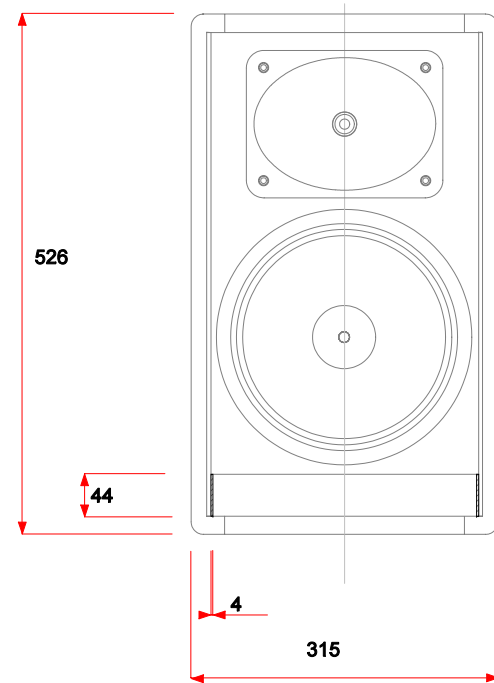
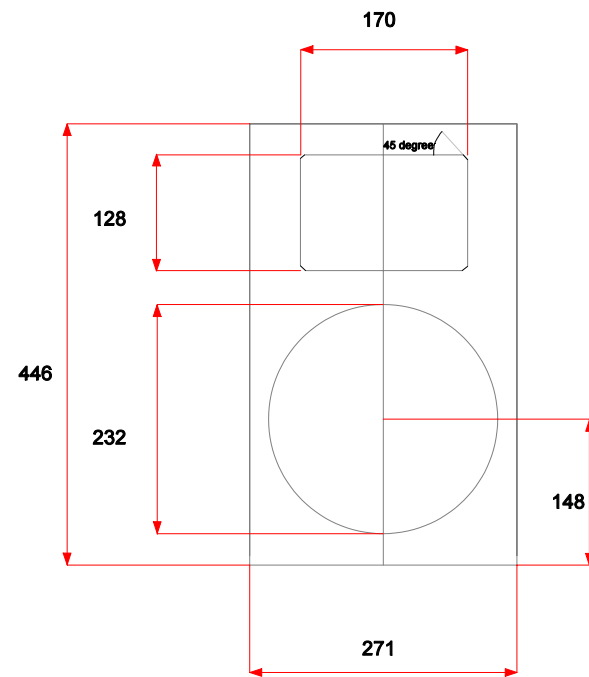


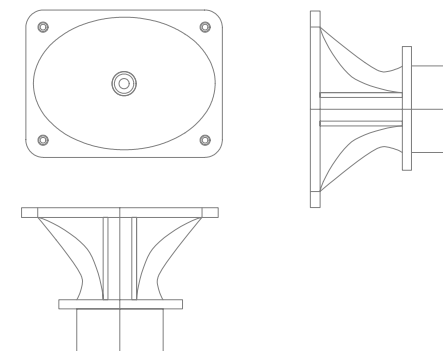
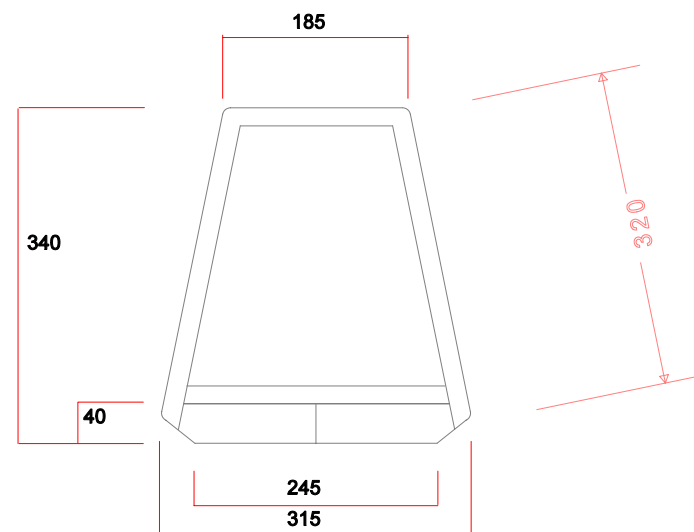
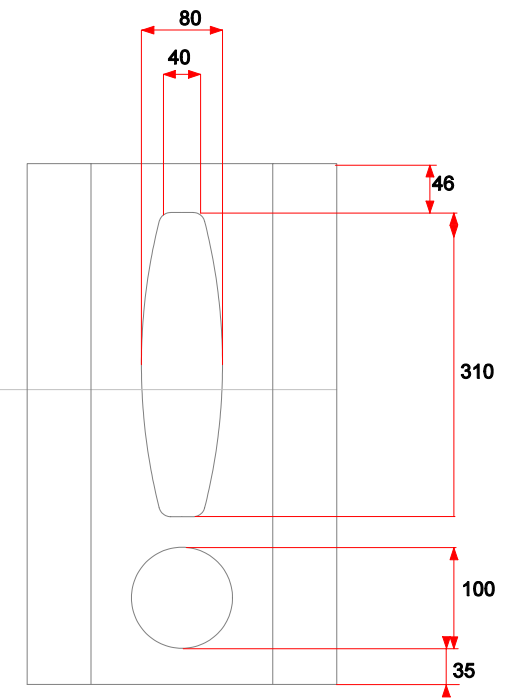
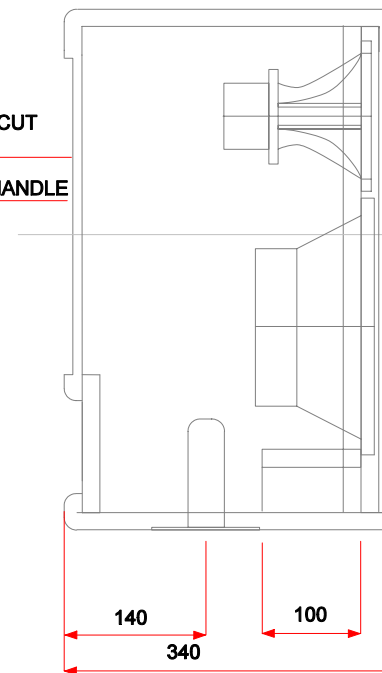
BAFFLE



VY C-C

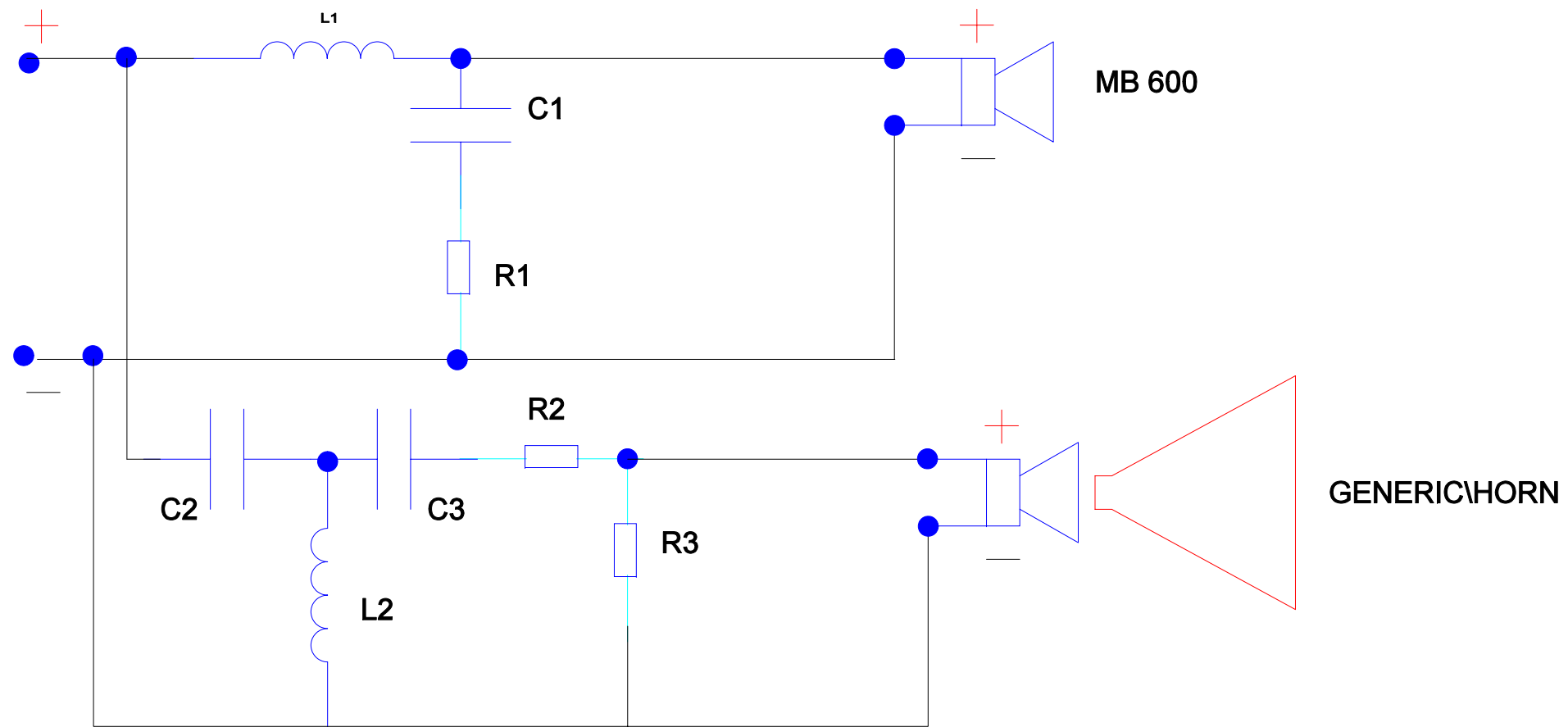


FOR HANDLE CUT
OUT 8MM
ONLY TO BE CUT IF USING HANDLE



Mod: FR 101mkII 10W400/ 10MB 600 See catalogue for cut out of horn	
18mm Plywood Vb: 27 Liter NN 23Litr	
Vent area:	VI 100mm

Title **Cross-over**
for FR 101 MB 600



- L1 0,9 mH 1,2mm wire
- L2 0,2 mH 1,2mm wire
- C1 20uF 250V
- C2 3,3uF 250V
- C3 10uF 250V
- R1 10 Ohm minimum 50W
- R2 4,4Ohm 17W (4,0 Ohm for more HF)
- R3 6,8 Ohm 17W (8,0 Ohm for more HF)

Note: High frequency driver shall not be polarinverted
 Components: Woofer 10MB600
 HF driver HD 120 or XD120