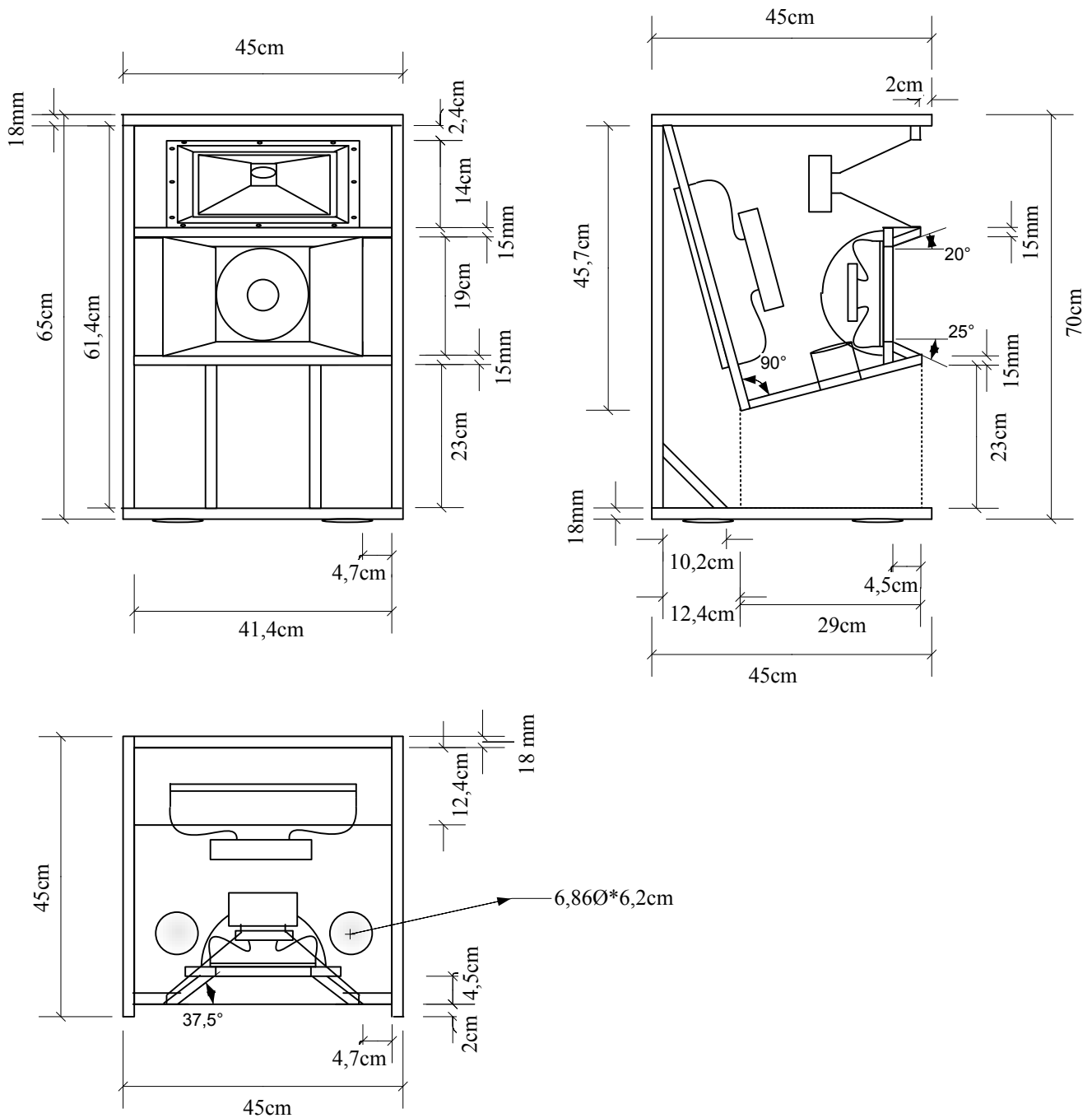


Model	Enclosure Design	Frequency Response	Efficiency	Power / imp.
KV sub25	Bandpass hoornsub	41~ 196Hz -6dB	100dB 1W/1M	1600W AES / 4ohm
Components	Kast: Berken multiplex 18mm			Netto inhoud: f61/r141,5 Ltr
	Bass: RCF LF15X400 30Hz-1500Hz 800W/8ohm			
Highpass 30Hz Lowpass 180Hz 4de order 45Hz/Q=2/G=+4,0dB 140Hz/Q=1/G=-1,5dB				
Ontwerp: van den Hoogen's Servicebedrijf / Boi van den Hoogen / www.boyzpc.nl / 29-10-2007				



Model	Enclosure Design	Frequency Response	Efficiency	Power / imp.
KV 123	Hornloaded top	180~ 20KHz	100dB 1W/1M	500W AES/8ohm
Components	Kast: Fins multiplex 18mm			Netto inhoud: 45Ltr
	Bass/mid: 18Sound 12W700 38Hz-5000Hz/350W/8ohm			
	Mid: 18Sound 6ND410 200Hz-8000Hz/180W/8ohm			
	High: 18Sound ND1080 1,6KHz-20KHz/50W/8ohm / Hoorn 90*40 B&C ME45			
Highpass 180Hz 4de order / passief filter 500 + 2500Hz 12dB/okt				
Ontwerp: van den Hoogen's Servicebedrijf / Boi van den Hoogen / www.boyzpc.nl / 06-11-2005				