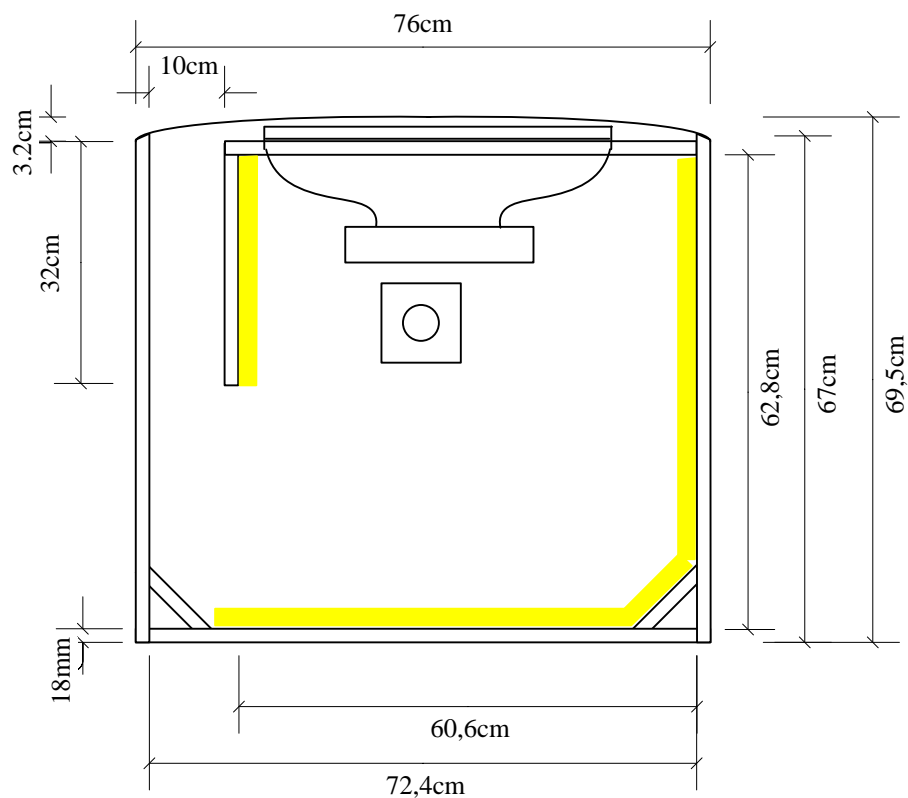
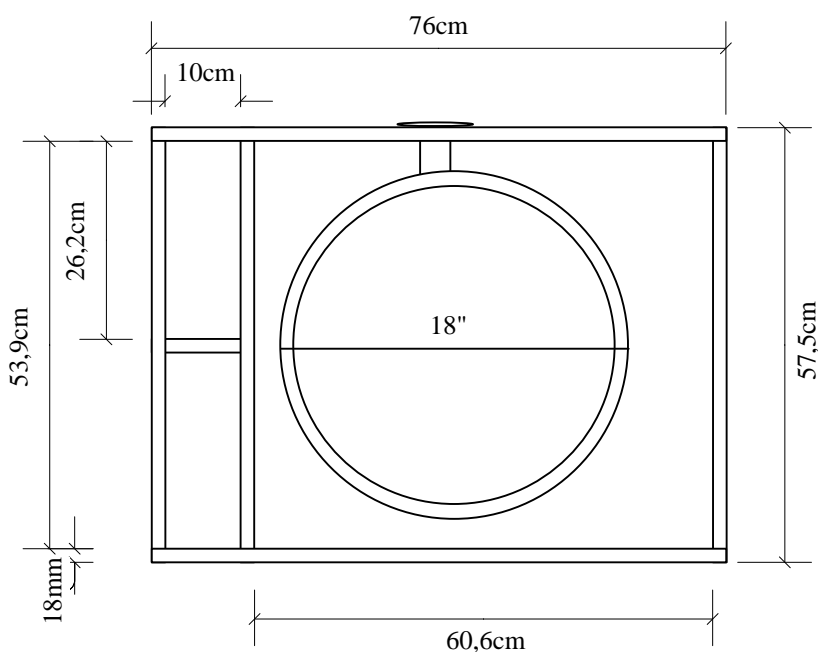
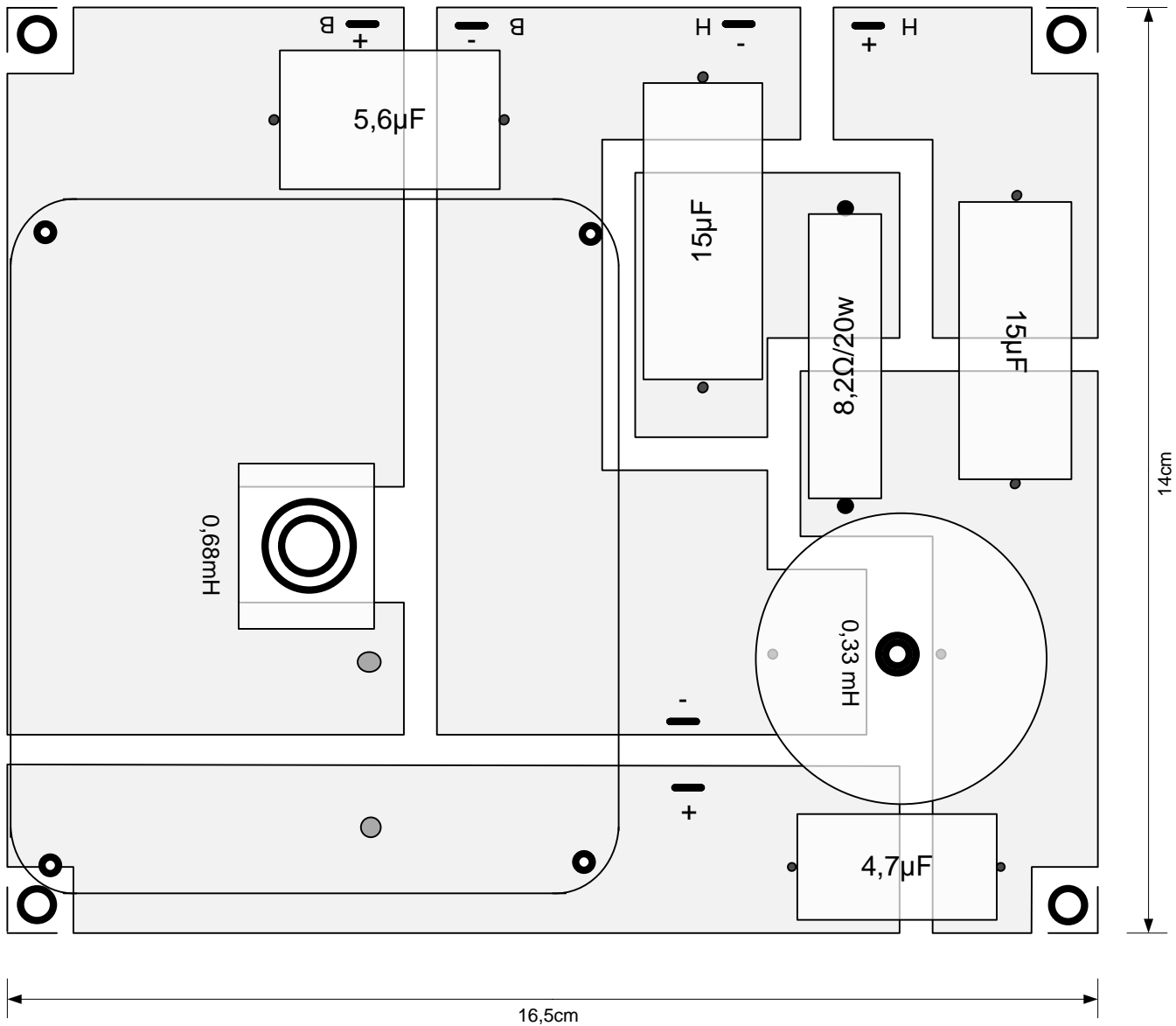


Model	Enclosure Design	Frequency Response	Efficiency	Power / imp.
VA641	Vertical array	80~20KHz -3dB	97,2dB 1W / 1M	1100W AES/ 8ohm
Components	Kast: Berken multiplex 15mm			Netto inhoud 49Ltr
	18Sound 6ND430 200W/92,5dB 63-5500Hz			
	P-Audio PreNeo-450N 80W/110dB 1,5-20KHz + Beyma TD-194 90*40 hoorn			
Highpass 80Hz 8ste order - passief x-over 2,7KHz				
Ontwerp: van den Hoogen's Servicebedrijf / Boi van den Hoogen / www.soundshopschylge.nl / 23-02-2013				



Model	Enclosure Design	Frequency Response	Efficiency	Power / imp.
VAS18	Array sub	36~80,5Hz -3dB	97,3dB 1W / 1M	1400W AES/ 8ohm
Components	Kast: Berken multiplex 15mm			Netto inhoud 249Ltr
	18Sound 18LW1400 1000W/98dB 28-2500Hz			
Highpass 30Hz 4de order - 80Hz 8ste order EQ 60Hz/Q=1/G=+1,5dB				
Ontwerp: van den Hoogen's Servicebedrijf / Boi van den Hoogen / www.soundshopschylge.nl / 23-02-2013				



1500 w/8ohm 12/18dB filter

E130/068/300

DROSSELSPULE 0.68 MH R=0.08

LU44/033/100

LUFTSPULE 0.33 MH R=0.30

KPQS/6.8/400

FOLIENKONDENS. AUDYN CAP MKP QS 5.80 MF / 400 VDC 5% AXIAL

MKTA/4.7/160

FOLIENKONDENS. M K T 4.70 MF/ 160 V 5% AXIAL

MKTA/15/160

FOLIENKONDENS. M K T 15.0 MF / 160 V 5% AXIAL

MKTA/15/250

FOLIENKONDENS. M K T 15.0 MF / 250 V 5% AXIAL

WAX20/8.20/5

DRAHTWIDERSTAND 8.20 OHM 20 WATT 5% AXIAL

